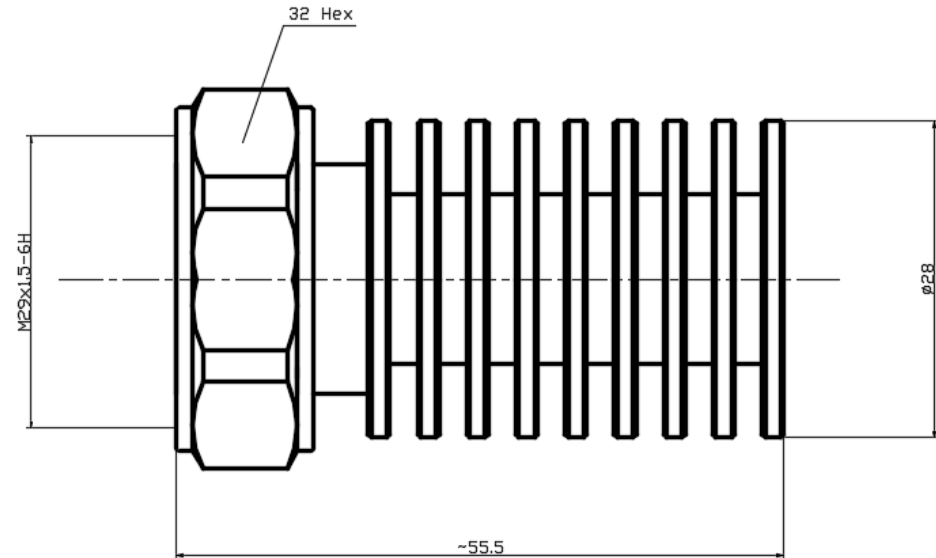



SPECIFICATION DRAWING

Technical Specification	
Protocol	Reference standard IEC60169-4
Nominal Impedance(Ω)	50
Frequency Range	DC-6GHz
VSWR	≤ 1.1 (DC-3GHz)
	≤ 1.2 (3-6GHz)
Average power handling	10W at 25°C
Peak power handling	500W at 25°C

Mechanical Specification		
Component	Material	Plating
Inner conductor	Spring copper	Ag5 μ m
Outer conductor	Brass	Copper tin-zinc2 μ m
Nut	Brass	Ni5 μ m
Body	AL	
Insulator	PTFE	
Nut torque	25N.m	

Environmental Requirement	
Temperature range	-55°C~+155°C
Weather standard	IEC 60068 55 / 155/ 56
Thermal shock	US MIL-STD 202,Meth.107,Cond.B
Vibration	US MIL-STD 202,Meth.204,Cond.B
Shock	US MIL-STD 202,Meth.213,Cond.I
Waterproofing standard	IP68



MODEL				NAME	7/16 M 10W Load HH	
APGTM716D				DWG NO.	320013510	SCALE
				UNIT	mm	
DESIGN	SUSAN	DATE	2020.03.12	REVISION	1.1	 APG Technologies
DRAWN	SUSAN	DATE	2020.03.12	MATERIAL		
APPROVAL	TONY	DATE	2020.03.12	Metric		