

MC15988C MIMO Omnidirectional Ceiling Antenna

Model: OVV-6996/6996/1727/1727-360-4/5-QK/43-20/153-1.8/1.5-B



Features and Product Description

- Wideband, support 2G/3G/4G
- High gain
- RoHS compliant
- Low PIM
- High reliability

Electrical Specifications

Port	Port1		Port2	
Frequency range (MHz)	698 - 960	1710 - 2700	698 - 960	1710 - 2700
Polarization	Vertical		Vertical	
VSWR	≤ 1.8	≤ 1.5	≤ 1.8	≤ 1.5
Gain (dBi)	Approx.4		Approx.5	
Isolation (dB)	≥20		≥20	
Horizontal half-power beam width (°)	360		360	
Vertical half-power beam width (°)	85	55	85	55
PIM, 3rd Order (dBc)	≤-153 (2 x 43 dBm carrier)			
Average power, maximum (W)	50			
Impedance (Ω)	50			
Grounding	DC Ground			

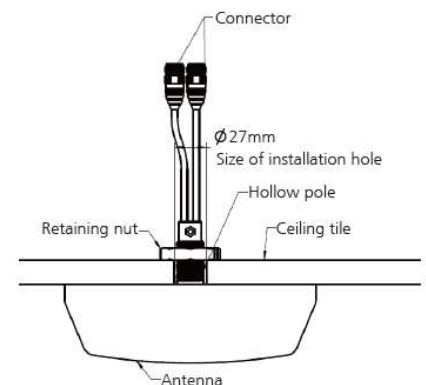
Mechanical Specifications

Dimensions (D x H) (mm)	Φ208 x 55
Packing dimensions (H x W x D) (mm)	210 x 200 x 165
Net weight (with installation kit) (kg)	≤0.8
Packing weight (kg)	≤0.9
Radome material	UV ABS
Application	Indoor
Operating temperature (°C)	-30 to +45
Connector	2 x 4.3-10 Female



Installation Steps

1. Drill a Φ33 - Φ35 hole on the ceiling.
2. Install the antenna as the following picture shows then tighten the bolts.
3. Connect the RF jumper to antenna connector.



© Copyright 2019 APG Technologies, Inc. All rights reserved.

All specifications are subject to change without notice. Please contact your APG representative for complete performance data.

[APG Technologies, Inc.](http://www.apgtechnologies.com)